

Flow computer UNI200



UNI 200 with enclosure for wall mounting.
Enclosure class IP 65



UNI 200 with enclosure for rail mounting.
Enclosure class IP 20.

Description

UNI200 is a modular designed converter for processing signals from flowmeter with frequency output, pressure transmitter and temperature sensor.

Power supply

230 VAC and 12 VDC available

Enclosure

IP20 for rail mounting
IP65 for wall mounting

Weight

IP20: 0,4 kg
IP65: 2,2 kg

Display

2x16 digits LCD with illuminated background
Line 1: flow rate – 7 digits, floating decimal point
Line 2: accumulated volume – 12 digits, floating decimal point
Volume indication 1 is resetable (“trip meter”)
Volume indication 2 is non resetable (“grand total”)
Display indication of all process parameters by means of membrane switch board

Input signal (pulse train) from:

gas flow meter GD
liquid flow meter VD
proximity switch, max 8 VDC (high level)
turbine and rotary meters
frequency range: 0-500 Hz
over voltage protection: 24 V

Input signals (analog):

temperature sensor: Pt100 (four wire leader)
pressure transducer: 4-20 mA (0-X bar gauge)
basic measurement resolution 12 bits
accuracy: 0,05% at 20 °C
update rate: 1/sec
reverse polarity: no ill effects
over current limit: 12 VDC, 100 mA (fault protected)

Output signals:

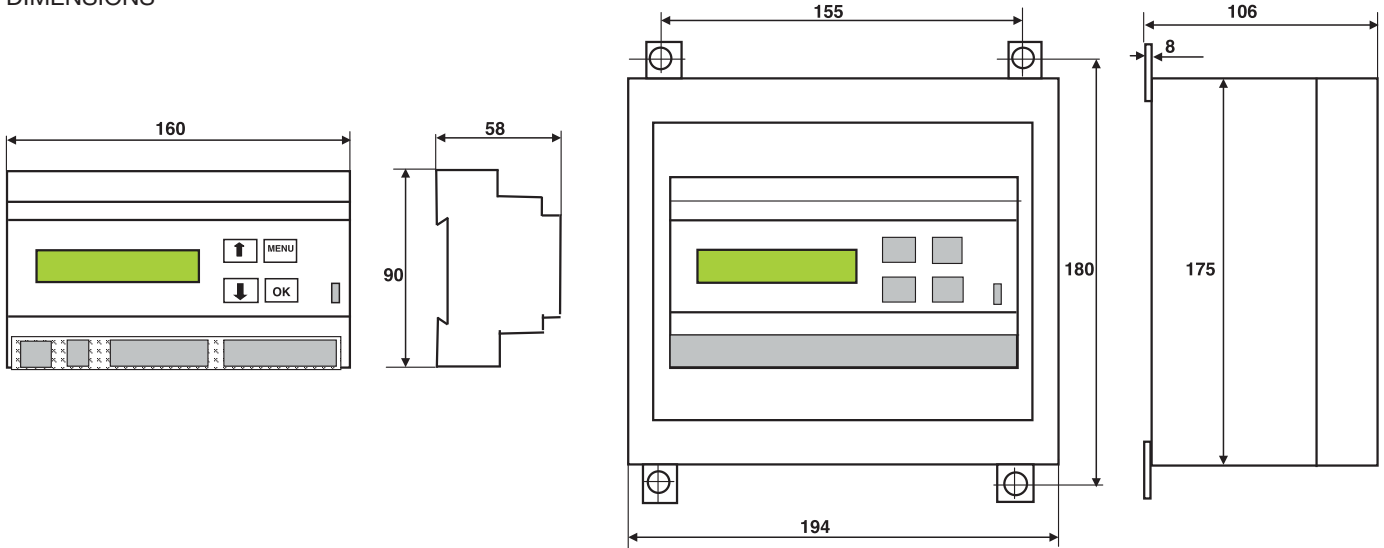
1/ pulse train assignable to uncompensated or PT compensated volume total, or mass total, 12 VDC active (voltage pulse)
alt. passive (open collector, max 24 VDC load), pulse width adjustable

2/ isolated analog output signal 4-20 mA assignable to uncompensated or PT compensated flow rate

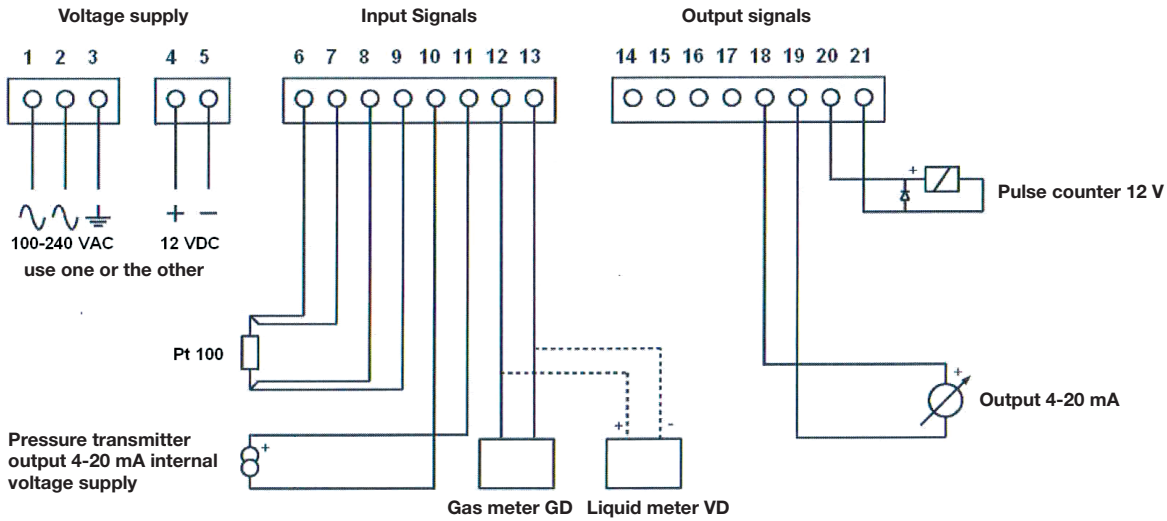
accuracy: 0,1% FS at 20 °C
update rate: 5 updates/sec
maximum load: 500 ohms

**Fluid
inventor AB**

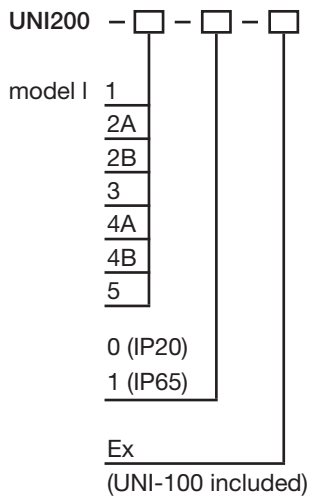
DIMENSIONS



ELECTRICAL TERMINALS



SELECTION GUIDE



All models have a 2-line LCD display, presenting flow rate and accumulated volume. There also is scalable output as standard.

Model:

- 1: no extra
- 2A: analogue output 4-20 mA
- 2B: analogue output 0-10 V
- 3: key board to reset accumulated volume
- 4A: key board + analogue output 4-20 mA
- 4B: key board + analogue output 0-10 V
- 5: key board + analogue output + PT compensation function with pressure and temperature input terminals. Incl. analogue output 4-20 mA